

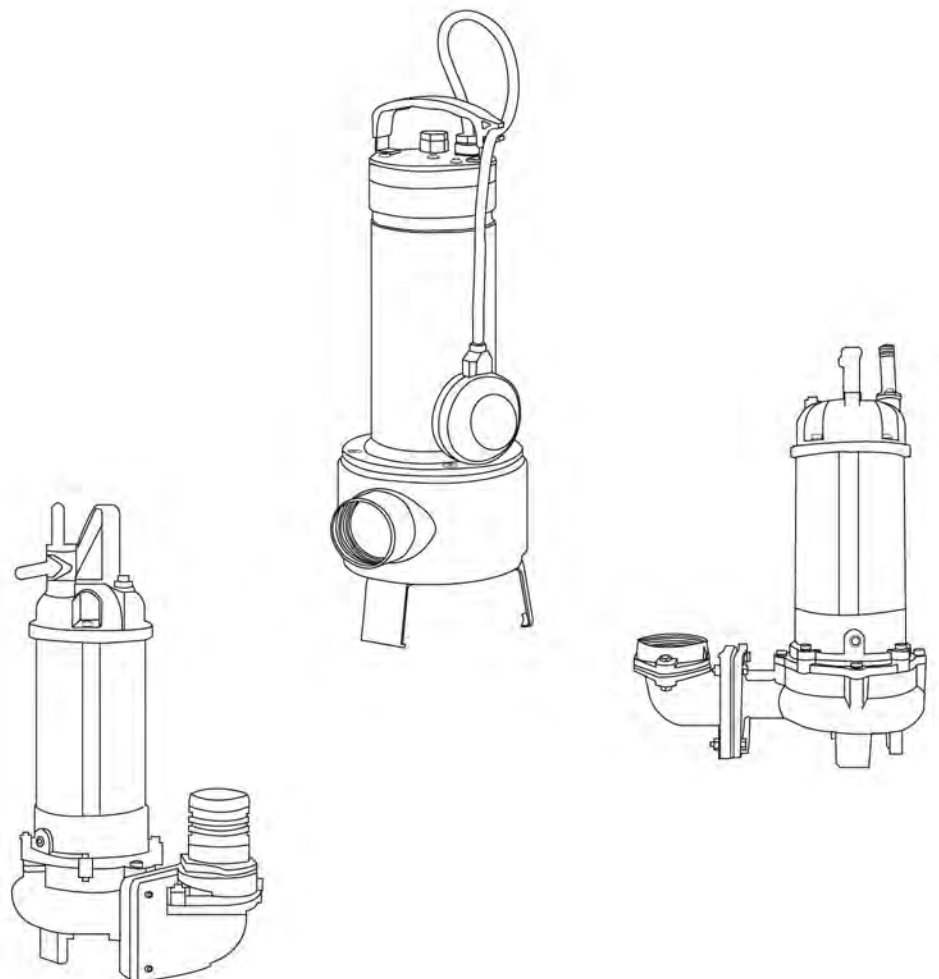
## Submersible Drainage & Sewage Pumps

50HZ





*STAIRS PUMPS*



<b>page</b>	<b>Performance curves / Technical data</b>
3	<b>XD</b> Submersible Drainage Pumps
5	<b>XV</b> Submersible Vortex Sewage Pumps
7	<b>GD</b> Submersible Grinder Pumps
9	<b>HM</b> Submersible Vortex Sewage Pumps
11	<b>SD</b> Submersible Drainage Pumps
13	<b>SV</b> Submersible Vortex Sewage Pumps
15	<b>SVN</b> Submersible Vortex Sewage Pumps
17	<b>SC</b> Submersible Cutter Sewage Pumps
19	<b>SA</b> Submersible Agitator Sewage Pumps
21	<b>Guide Rail System</b>



# XD Submersible Drainage Pumps

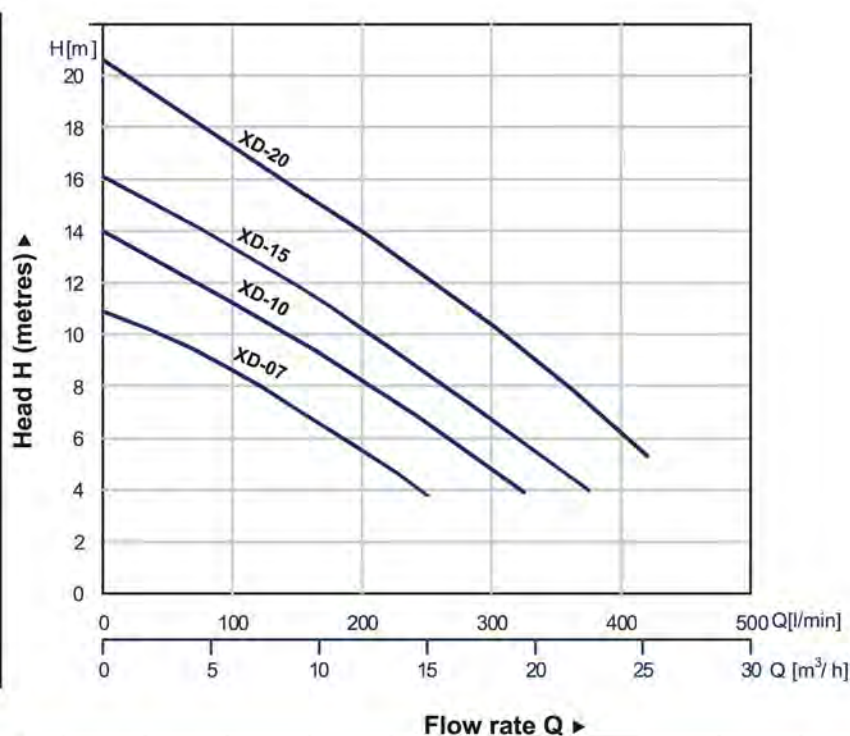
## General Data/Material



<b>Operating Conditions</b>	<b>Applications</b>	Emptying of septic tanks and residential sumps.
	<b>Fluid Temperature</b>	0 to 50 °C
<b>Motor</b>	<b>Type</b>	Dry Type
	<b>Pole</b>	2-pole
	<b>Insulation</b>	Class F
	<b>Protection</b>	IP68
	<b>Protection Device</b>	Thermal Protector (single phase)
<b>Pump</b>	<b>Impeller</b>	Open Impeller
	<b>Shaft Seal/Material</b>	Double seals
	<b>Bearing</b>	Double-shielded Ball Bearing

Component	Material
Cable	H07RN-F
Handle	AISI 304+Nylon
Motor Cover	AISI 304
Motor Casing	AISI 304
Fixing Ring	AISI 304
Pump Body	AISI 304
Mechanical seal	Sic/Sic/NBR
Impeller	AISI 304
Key	AISI 304
Pump Casing	AISI 304
Oil Seal	NBR
Shaft	AISI 304
V-type Axial Oil Seal	NBR
Suction flange	AISI 304

## Characteristic curves N= 2900 rpm

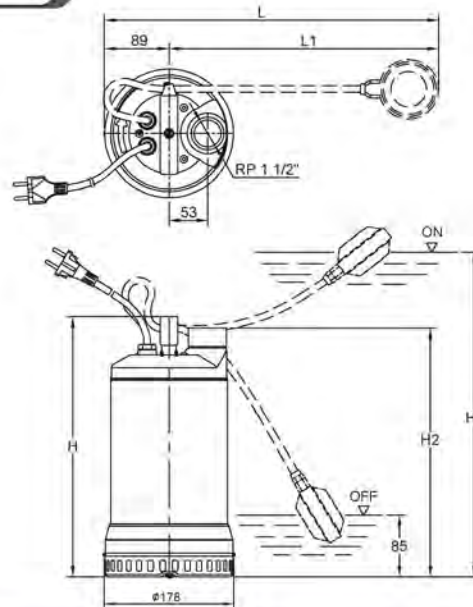


## Specifications

Model	Power HP (kW)	Discharge inch	Phase	Standard		Max		Solid Passage mm	Cable M
				Head M	Capacity LPM	Head M	Capacity LPM		
XD-07	0.75(0.55)	RP 1 1/2"	1 $\phi$ /3 $\phi$	8.6	100	10.9	250	8	10
XD-10	1.0(0.75)	RP 1 1/2"	1 $\phi$ /3 $\phi$	11.2	100	14	325	8	10
XD-15	1.5(1.1)	RP 1 1/2"	1 $\phi$ /3 $\phi$	11.9	150	16.1	375	8	10
XD-20	2.0(1.5)	RP 1 1/2"	3 $\phi$	15.6	150	20.6	420	8	10

Auto Float Switches are available in Single-phase

## Dimensions and Weights



### SINGLE-PHASE

Model	Dimension (mm)					
	H	H1	H2	L	L1	N.W. kg
XD-07	357	437	341	459	370	12
XD-10	407	497	391	514	425	15
XD-15	407	497	391	514	425	17

### THREE-PHASE

Model	Dimension (mm)		
	H	H2	N.W. kg
XD-07	357	341	12
XD-10	357	341	12
XD-15	407	391	15
XD-20	407	391	17

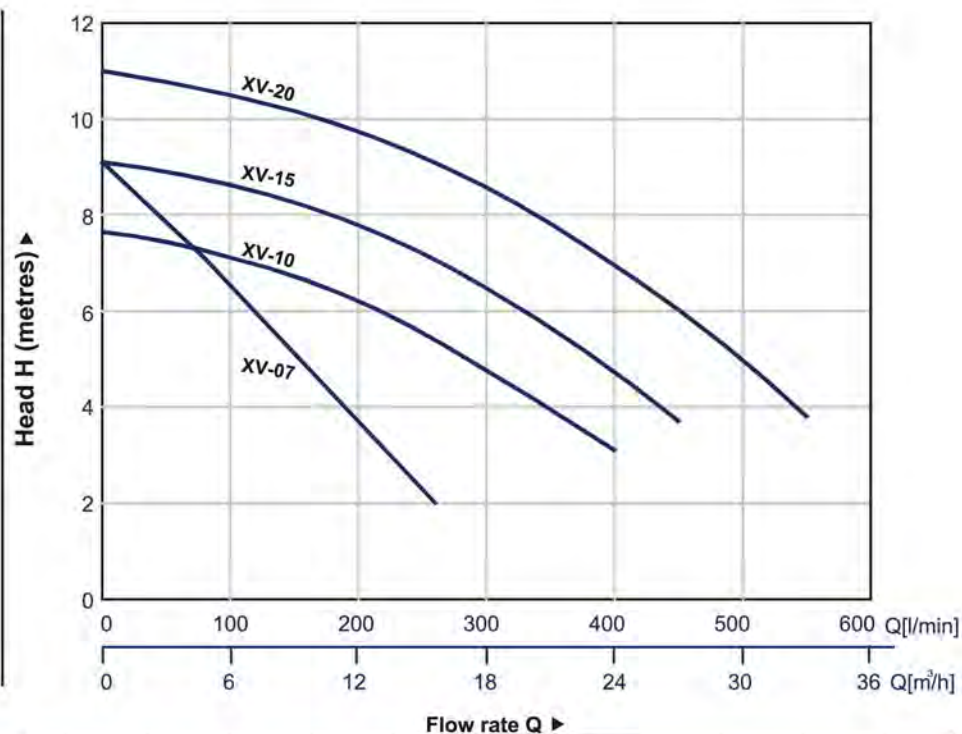
### General Data/Material



<b>Operating Conditions</b>	<b>Applications</b>	Emptying of septic tanks and residential sumps.
	<b>Fluid Temperature</b>	0 to 35°C
<b>Motor</b>	<b>Type</b>	Dry Type
	<b>Pole</b>	2-pole
	<b>Insulation</b>	Class F
	<b>Protection</b>	IP68
	<b>Protection Device</b>	Thermal Protector (single phase)
<b>Pump</b>	<b>Impeller</b>	Vortex Impeller
	<b>Shaft Seal/Material</b>	Double seals
	<b>Bearing</b>	Double-shielded Ball Bearing

Component	Material
Cable	H07RN-F
Handle	AISI 304+Nylon
Motor Cover	AISI 304
Motor Casing	AISI 304
Fixing Ring	AISI 304
Pump Body	AISI 304
Mechanical seal	Sic/Sic/NBR
Impeller	AISI 304
Key	AISI 304
Pump Casing	AISI 304
Oil Seal	NBR
Shaft	AISI 304
V-type Axial Oil Seal	NBR
Suction flange	AISI 304

### Characteristic curves N= 2900 rpm

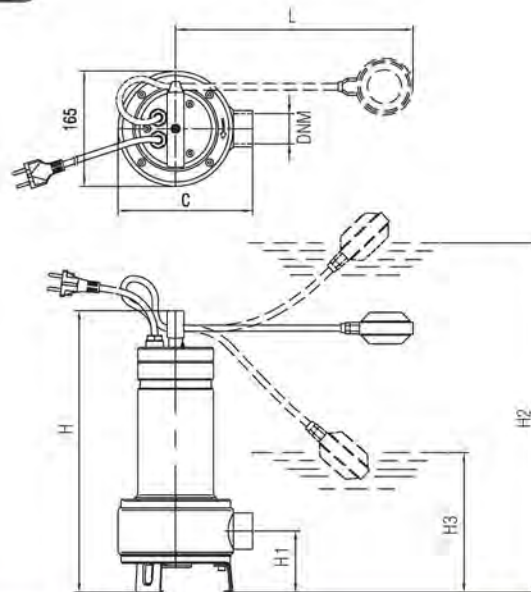


## Specifications

Model	Power HP (kW)	Discharge inch	Phase	Standard		Max		Solid Passage mm	Cable M
				Head M	Capacity LPM	Head M	Capacity LPM		
XV-07	0.75(0.55)	RP 1 1/2"	1 $\phi$ /3 $\phi$	7.1	80	9.1	260	35	5
XV-10	1.0(0.75)	RP 2"	1 $\phi$ /3 $\phi$	7.1	100	7.7	400	50	10
XV-15	1.5(1.1)	RP 2"	1 $\phi$ /3 $\phi$	8.6	100	9.1	450	50	10
XV-20	2.0(1.5)	RP 2"	3 $\phi$	10.2	150	11	550	50	10

Auto Float Switches are available in Single-phase

## Dimensions and Weights



### SINGLE-PHASE

Model	Dimension (mm)							
	H	H1	H2	H3	L	C	DNM	N.W. kg
XV-07	403	88	483	185	350	193	RP1 1/2"	11
XV-10	486	111.5	566	268	350	198	RP 2"	14
XV-15	486	111.5	566	268	350	198	RP 2"	15

### THREE-PHASE

Model	Dimension (mm)				
	H	H1	C	DNM	N.W. kg
XV-07	403	88	193	RP1 1/2"	11
XV-10	436	111.5	198	RP 2"	12
XV-15	486	111.5	198	RP 2"	14
XV-20	486	111.5	198	RP 2"	15

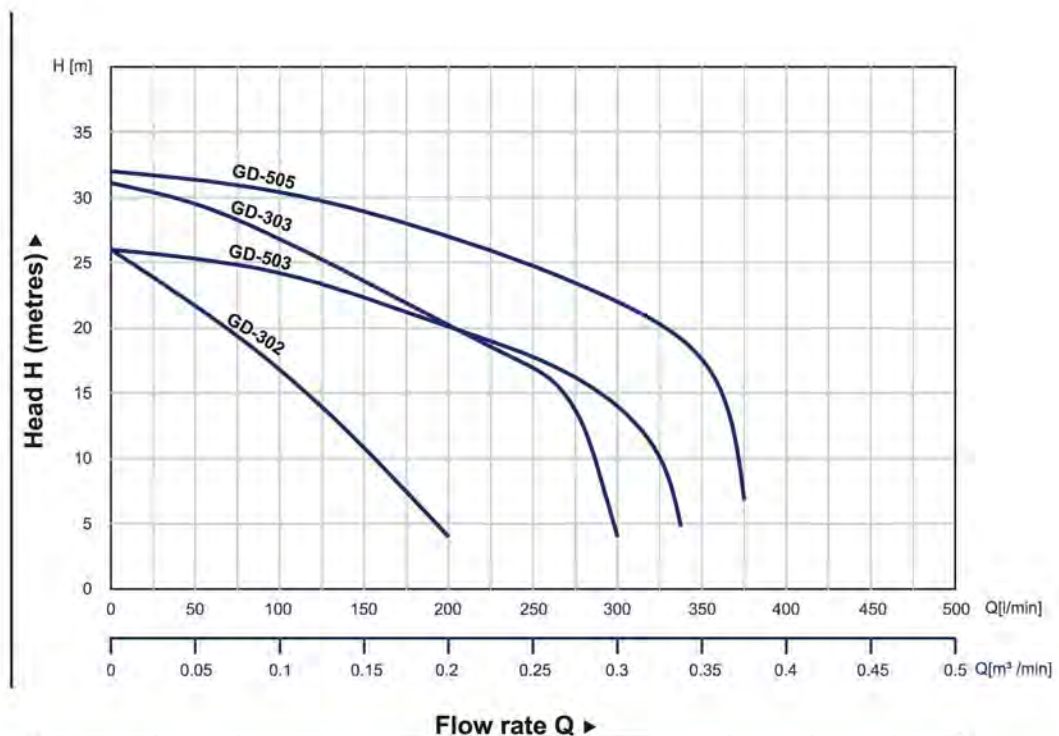
### General Data/Material



<b>Operating Conditions</b>	<b>Applications</b>	Waste water and Sewage for domestic civil and industrial purpose
	<b>Fluid Temperature</b>	0 to 40°C
<b>Motor</b>	<b>Type</b>	Dry Type
	<b>Pole</b>	2-pole
	<b>Insulation</b>	Class F
	<b>Protection</b>	IP68
<b>Pump</b>	<b>Protection Device</b>	Overload Protector Seal Minder (Optional)
	<b>Impeller</b>	Vortex
	<b>Shaft Seal/Material</b>	Double Mechanical Seal
	<b>Bearing</b>	Ball Bearing

Component	Material
Cable	H07RN-F
Handle	AISI 304
Motor Cover	FC-20
Motor Frame	AISI 304
Bearing Bracket	FC-20
Pump Casing	FC-20
Impeller	FCD-45
Mechanical seal	SIC/NBR
Oil Seal	NBR
Shaft	AISI 410
SCREWS For BASE STAND	AISI 304
O-RING For BASE STAND	NBR

### Characteristic curves N= 2900 rpm



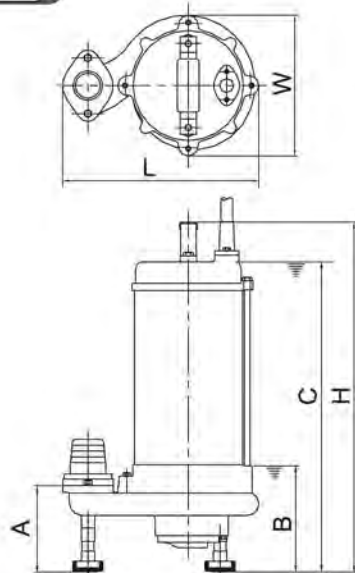


## Specifications

Model	Power HP (kW)	Discharge inch	Phase	Standard		Max		N.W. kg	Cable M
				Head M	Capacity LPM	Head M	Capacity LPM		
GD-302	2 (1.5)	RP 1 1/4"	1φ/3φ	21	60	26	200	36/33	10
GD-303	3 (2.2)	RP 1 1/4"	3φ	29	60	31	300	37	10
GD-503	3 (2.2)	RP 2"	3φ	20	200	26	340	38	10
GD-505	5 (3.7)	RP 2"	3φ	27	200	32	350	52	10

Auto Float Switches are available in Single-phase

## Dimensions and Weights



Model	Dimension (mm)						
	Phase	A	B	C	L	W	H
GD-302	1φ	130	160	500	300	210	560
	3φ			410			470
GD-303	3φ	130	160	460	300	210	520
GD-503	3φ	130	160	460	300	210	520
GD-505	3φ	130	160	490	300	210	550

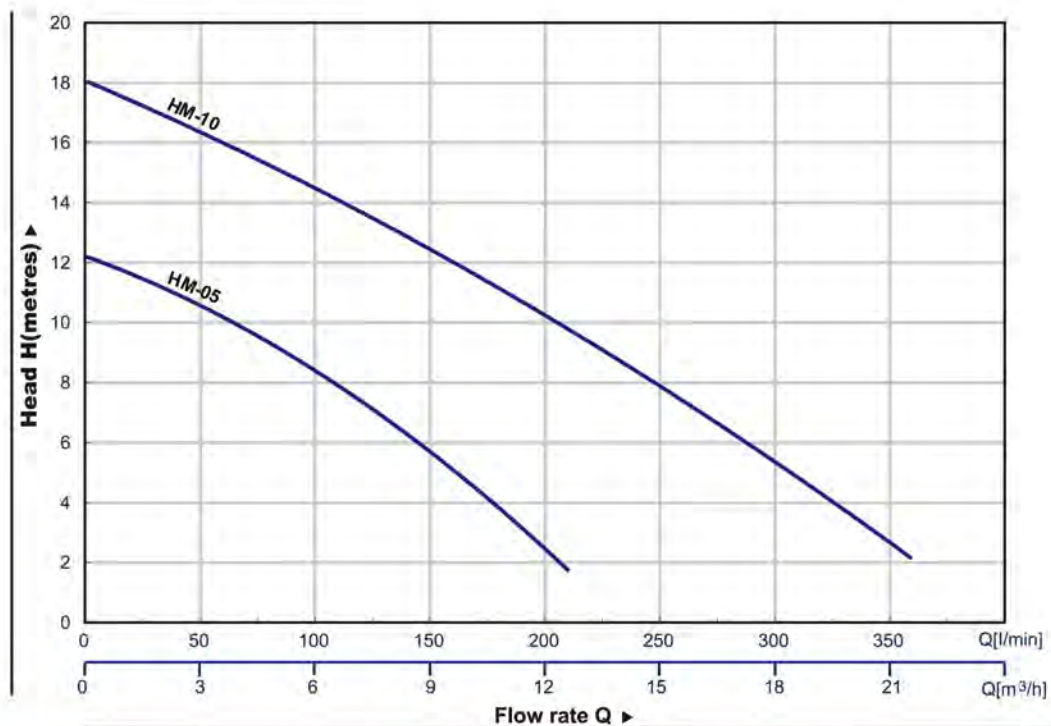
## General Data/Material



<b>Operating Conditions</b>	<b>Applications</b>	Waste water for domestic and civil purposes
	<b>Fluid Temperature</b>	0 to 40 °C
<b>Motor</b>	<b>Type</b>	Dry Type
	<b>Pole</b>	2-pole
	<b>Insulation</b>	Class F
	<b>Protection</b>	IP68
<b>Pump</b>	<b>Protection Device</b>	Thermal Protector (single phase) Overload Protector (three phase)
	<b>Impeller</b>	Vortex Impeller
	<b>Shaft Seal/Material</b>	Double Mechanical Seal
	<b>Bearing</b>	Double-shielded Ball Bearing

Component	Material
Cable	H07RN-F
Handle	Nylon 6
Motor Cover	ADC 12
End Bracket	SECC
Pump Casing	Cast Iron GJL 200
Impeller	TPU
Strainer	PVC
Agitator	SMF 5030
Mechanical seal: Upper	CA/CE
Lower	Sic/Sic
Shaft	AISI 410
Motor Housing	ADC 12

## Characteristic curves N=2900 rpm

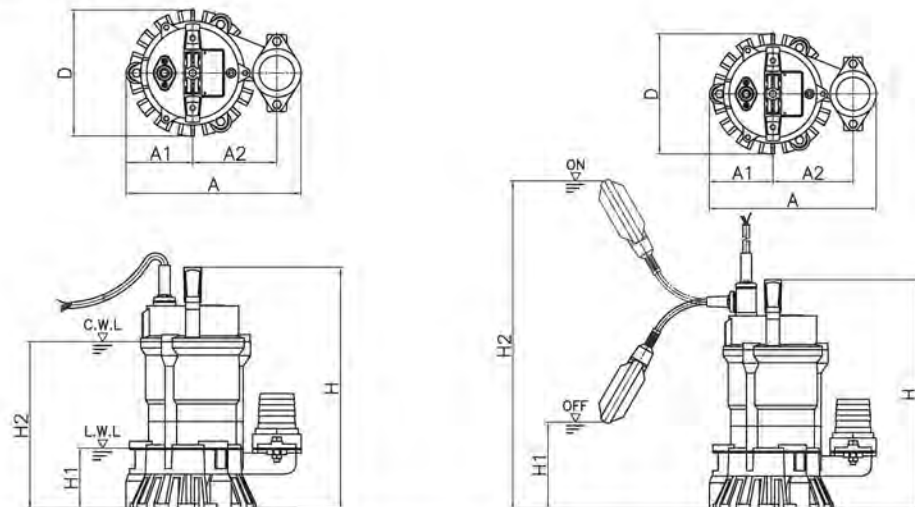


## Specifications

Model	Power HP (kW)	Discharge inch	Phase	Standard		Max		Solid Passage mm	N.W. kg	Cable M
				Head M	Capacity LPM	Head M	Capacity LPM			
HM 05-50	1/2 (0.37)	2"	1 $\phi$ /3 $\phi$	7	120	12	240	10	12.5	10
HM 10-50(80)	1 (0.75)	2"/3"	1 $\phi$ /3 $\phi$	10	200	18	350	10	15.5	10

Auto Float Switches are available in Single-phase

## Dimensions and Weights



Model	Dimension (mm)						
	A	A1	A2	D	H	H1	H2
HM-05-50	250	95	120	180	344	87	239
HM-05MA-50	250	95	120	180	344	131	491
HM-10-50(80)	280	95	135	180	369	87	264
HM-10MA-50(80)	280	95	135	180	369	156	516

A= Auto Float Switch

# SD Submersible Drainage Pumps

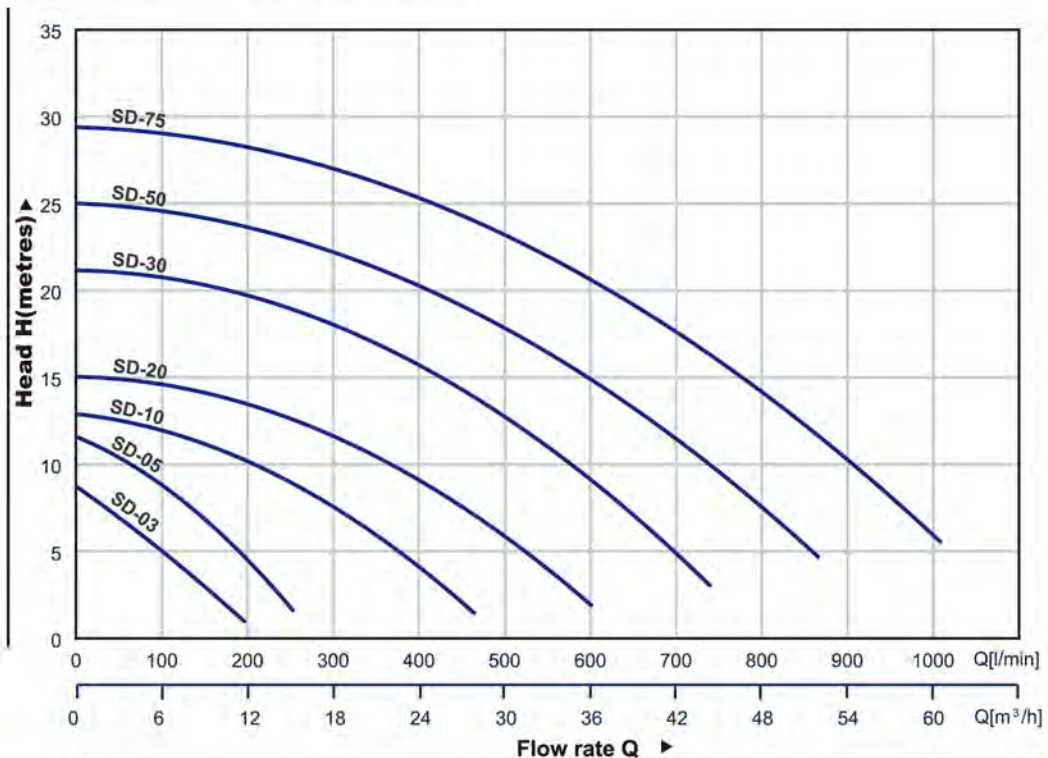
## General Data/Material



<b>Operating Conditions</b>	<b>Applications</b>	Rain and spring water drainage for domestic and civil purposes
	<b>Fluid Temperature</b>	0 to 40 °C
<b>Motor</b>	<b>Type</b>	Dry Type
	<b>Pole</b>	2-pole
	<b>Insulation</b>	Class F
	<b>Protection</b>	IP68
<b>Pump</b>	<b>Protection Device</b>	Thermal Protector (single phase) Overload Protector (three phase)
	<b>Impeller</b>	Effluent Impeller
	<b>Shaft Seal/Material</b>	Double Mechanical Seal and one Oil Seal
	<b>Bearing</b>	Double-shielded Ball Bearing

Component	Material
Cable	H07RN-F
Handle	Nylon SS 41
Motor Cover	Cast Iron GJL 200
Seal Housing	Cast Iron GJL 200
Bracket	Cast Iron GJL 200
Oil Chamber	Cast Iron GJL 200
Pump Casing	Cast Iron GJL 200
Impeller	Cast Iron GJL 200
Strainer	AISI 304
Mechanical seal: Upper	CA/CE
Lower	Sic/Sic
Oil Seal	NBR
Shaft	AISI 410
Motor Housing	AISI 304

## Characteristic curves N=2900 rpm



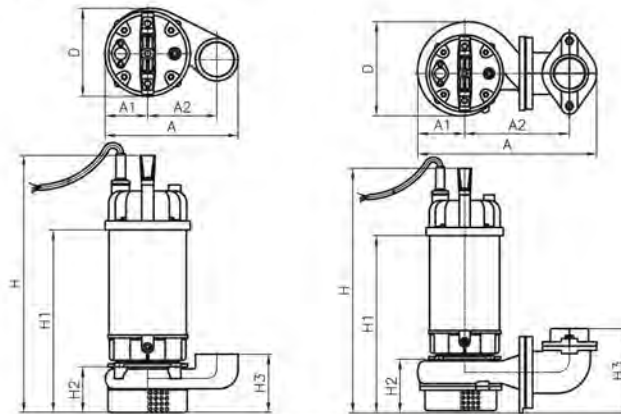
## Specifications

Model	Power HP (kW)	Discharge inch	Phase	Standard		Max		Solid Passage mm	N.W. kg	Cable M
				Head M	Capacity LPM	Head M	Capacity LPM			
SD-03-50	1 / 3 (0.25)	2"	1φ/3φ	5	80	9	210	6	12.5	10
SD-05-50	1 / 2 (0.37)	2"	1φ/3φ	6	200	11	300	6	13.5	10
SD-10-50	1 (0.75)	2"	1φ/3φ	8	220	13	490	6	23.5	10
SD-20-50(80)	2 (1.5)	2"/3"	1φ/3φ	12	400	15	600	6	34	10
SD-30-50(80)	3 (2.2)	2"/3"	3φ	15	400	21	800	6	35	10
SD-50-80(100)	5 (3.7)	3"/4"	3φ	19	500	25	900	6	57	10
SD-75-80(100)	7.5 (5.5)	3"/4"	3φ	25	600	29	1100	6	63	10

SD-03-50 ~ SD-05-50: Thread Type  
 SD-10-50: Elbow Type (2")  
 SD-20-50(80): Elbow Type (2" or 3")

SD-50-80(100) ~ SD-75-80(100): Elbow Type (3" or 4")  
 Auto Float Switches are available in Single-phase

## Dimensions and Weights



Model	Dimension (mm)							
	A	A1	A2	D	H	H1	H2	H3
SD-03-50	221	71	115	141	348	235	76	97
SD-05-50	221	71	115	141	373	260	76	97
SD-10-50	330	86	193	173	451	327	99	155
SD-20-50(80)	403	103	250	212	536	388	110	164
SD-30-50(80)	403	103	250	212	556	408	110	164
SD-50-80(100)	463	110	260	227	605	440	132	215
SD-75-80(100)	463	110	260	227	645	480	132	215

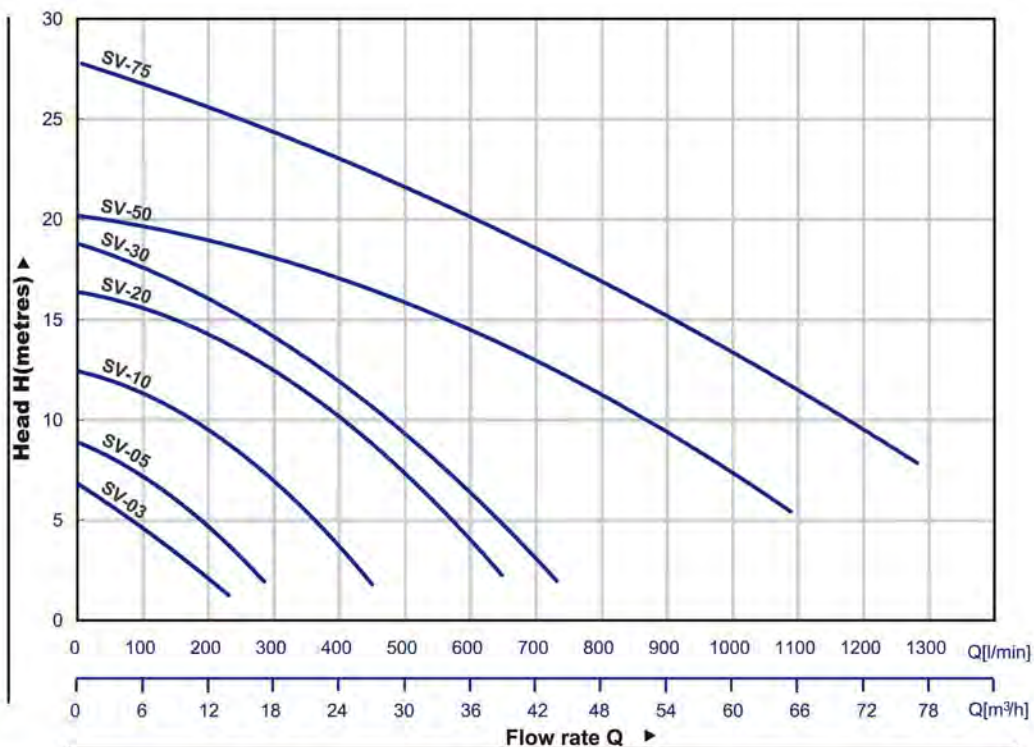
## General Data/Material



<b>Operating Conditions</b>	<b>Applications</b>	Waste water and Sewage for domestic purposes
	<b>Fluid Temperature</b>	0 to 40 °C
<b>Motor</b>	<b>Type</b>	Dry Type
	<b>Pole</b>	2-pole
	<b>Insulation</b>	Class F
	<b>Protection</b>	IP68
<b>Pump</b>	<b>Protection Device</b>	Thermal Protector (single phase) Overload Protector (three phase)
	<b>Impeller</b>	Vortex Impeller
	<b>Shaft Seal/Material</b>	Double Mechanical Seal and one Oil Seal
	<b>Bearing</b>	Double-shielded Ball Bearing

Component	Material
Cable	H07RN-F
Handle	Nylon SS 41
Motor Cover	Cast Iron GJL 200
Seal Housing	Cast Iron GJL 200
Bracket	Cast Iron GJL 200
Oil Chamber	Cast Iron GJL 200
Pump Casing	Cast Iron GJL 200
Impeller	Cast Iron GJL 200
Mechanical seal: Upper	CA/CE
Lower	Sic/Sic
Oil Seal	NBR
Shaft	AISI 410
Motor Housing	AISI 304

## Characteristic curves N=2900 rpm



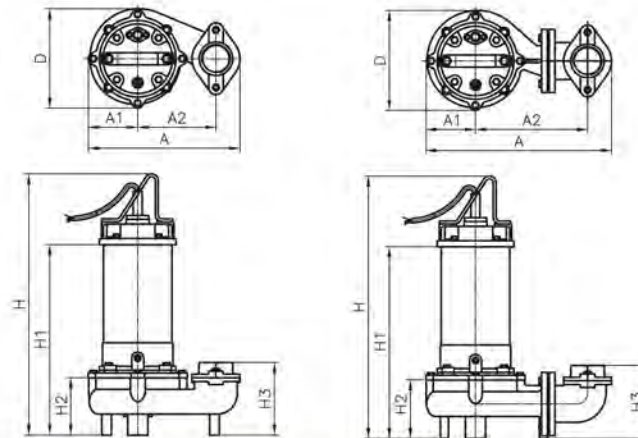
## Specifications

Model	Power HP (kW)	Discharge inch	Phase	Standard		Max		Solid Passage mm	N.W. kg	Cable M
				Head M	Capacity LPM	Head M	Capacity LPM			
SV-03-50	1/3 (0.25)	2"	1φ/3φ	4	120	7	220	35	12.5	10
SV-05-50	1/2 (0.37)	2"	1φ/3φ	6	150	9	300	35	13.5	10
SV-10-50	1 (0.75)	2"	1φ/3φ	8	200	12	450	35	18.5	10
SV-20-50(80)	2 (1.5)	2"/3"	1φ/3φ	10	400	17	650	35	34	10
SV-30-50(80)	3 (2.2)	2"/3"	3φ	11	450	19	750	35	35	10
SV-50-80(100)	5 (3.7)	3"/4"	3φ	15	550	20	1100	50	57	10
SV-75-80(100)	7.5 (5.5)	3"/4"	3φ	20	650	28	1200	50	63	10

SV-03-50 ~ SV-05-50: Threaded Flange Type  
 SV-10-50: Threaded Flange Type or Elbow Type (2")

SV-20-50(80) ~ SV-30-50(80): Elbow Type (2" or 3")  
 SV-50-80(100) ~ SV-75-80(100): Elbow Type (3" or 4")  
 Auto Float Switches are available in Single-phase

## Dimensions and Weights



Model	Dimension (mm)							
	A	A1	A2	D	H	H1	H2	H3
SV-03-50	222	73	115	145	385	272	113	133
SV-05-50	222	73	115	145	410	297	113	133
SV-10-50	222	73	115	149	464	340	113	133
SV-20-50(80)	387	103	234	208	548	400	122	153
SV-30-50(80)	387	103	234	208	568	420	122	153
SV-50-80(100)	459	110	256	227	638	471	160	220
SV-75-80(100)	459	110	256	227	678	511	160	220

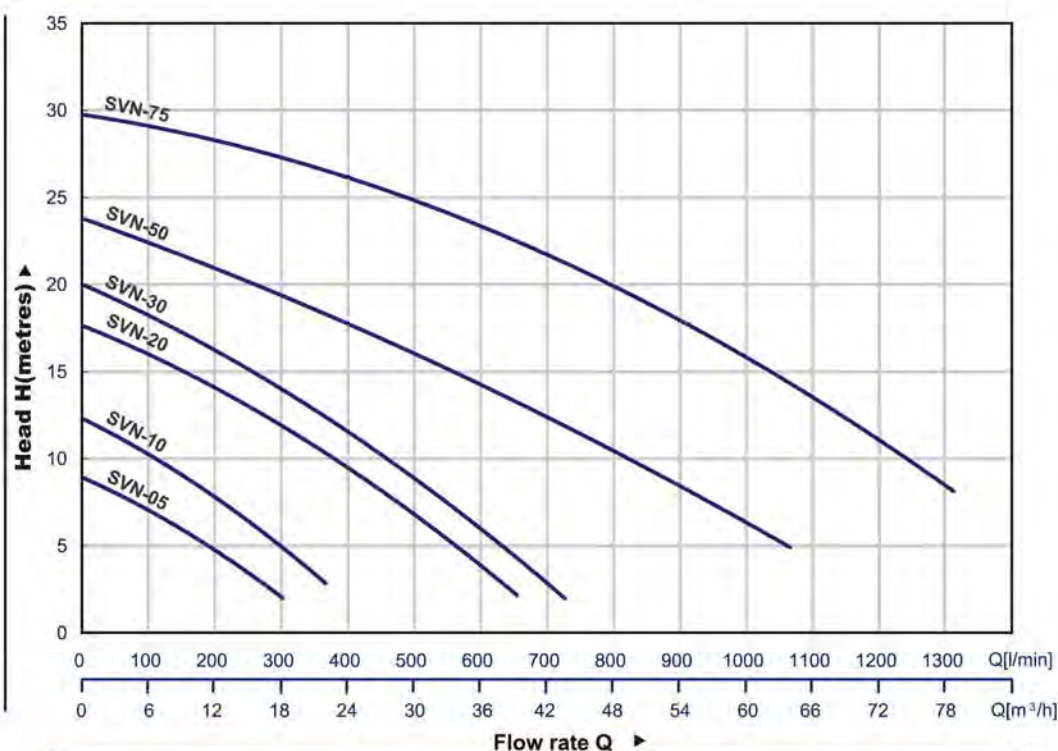
## General Data/Material



<b>Operating Conditions</b>	<b>Applications</b>	Waste water and Sewage for domestic and industrial purposes
	<b>Fluid Temperature</b>	0 to 40 °C
<b>Motor</b>	<b>Type</b>	Dry Type
	<b>Pole</b>	2-pole
	<b>Insulation</b>	Class F
	<b>Protection</b>	IP68
	<b>Protection Device</b>	Thermal Protector (single phase) Overload Protector (three phase)
<b>Pump</b>	<b>Impeller</b>	Vortex Impeller
	<b>Shaft Seal/Material</b>	Double Mechanical Seal and one oil Seal
	<b>Bearing</b>	Double-shielded Ball Bearing

Component	Material
Cable	H07RN-F
Handle	AISI 304
Motor Cover	AISI 316
Seal Housing	AISI 316
Bracket	Cast Iron GJL 200
Oil Chamber	AISI 316
Pump Housing	AISI 316
Impeller	AISI 316
Mechanical seal: Upper	CA/CE
Lower	Sic/Sic
Oil Seal	VITON
Shaft	AISI 316
Motor Housing	AISI 316

## Characteristic curves N=2900 rpm





## Specifications

Model	Power HP (kW)	Discharge inch	Phase	Standard		Max		Solid Passage mm	N.W. kg	Cable M
				Head M	Capacity LPM	Head M	Capacity LPM			
SVN-05-50	1/2 (0.37)	2"	1 $\phi$ /3 $\phi$	6	150	9	300	35	13.5	10
SVN-10-50	1 (0.75)	2"	1 $\phi$ /3 $\phi$	8	200	13	400	35	18.5	10
SVN-20-50(80)	2 (1.5)	2"/3"	1 $\phi$ /3 $\phi$	12	400	18	700	35	34	10
SVN-30-50(80)	3 (2.2)	2"/3"	3 $\phi$	13	450	20	750	35	35	10
SVN-50-80(100)	5 (3.7)	3"/4"	3 $\phi$	15	550	24	1100	50	57	10
SVN-75-80(100)	7.5 (5.5)	3"/4"	3 $\phi$	20	700	30	1300	50	63	10

SVN-05-50: Thread Type

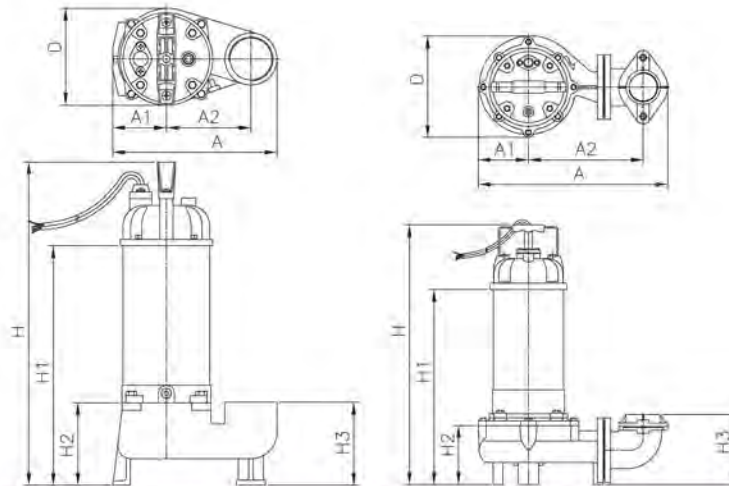
SVN-10-50: Thread Type or Elbow Type (2")

SVN-20-50(80) ~ SVN-30-50(80): Elbow Type (2" or 3")

SVN-50-80(100) ~ SVN-75-80(100): Elbow Type (3" or 4")

Auto Float Switches are available in Single-phase

## Dimensions and Weights



Model	Dimension (mm)							
	A	A1	A2	D	H	H1	H2	H3
SVN-05-50	224	73	115	132	409	296	112	113
SVN-10-50	224	73	115	132	439	326	112	113
SVN-20-50(80)	387	103	234	205	530	398	120	143
SVN-30-50(80)	387	103	234	205	550	418	120	143
SVN-50-80(100)	459	110	256	230	641	471	160	220
SVN-75-80(100)	459	110	256	230	681	511	160	220

# SC Submersible Cutter Sewage Pumps

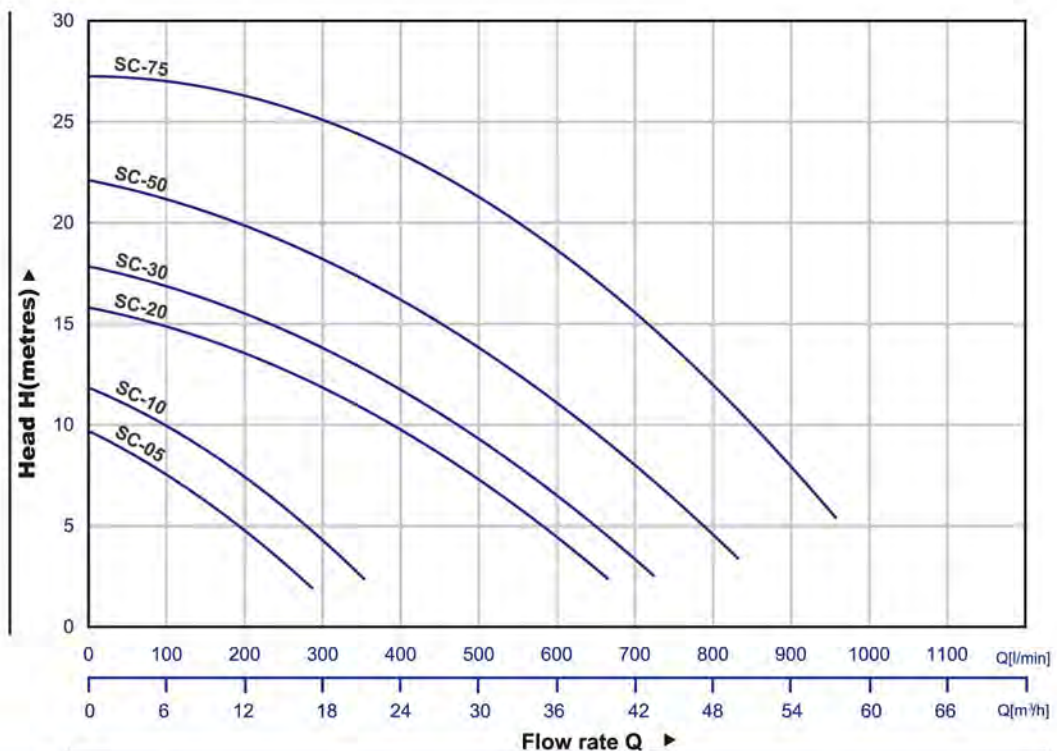
## General Data/Material



<b>Operating Conditions</b>	<b>Applications</b>	Waste water for domestic and civil purposes
	<b>Fluid Temperature</b>	0 to 40 °C
<b>Motor</b>	<b>Type</b>	Dry Type
	<b>Pole</b>	2-pole
	<b>Insulation</b>	Class F
	<b>Protection</b>	IP68
<b>Pump</b>	<b>Protection Device</b>	Thermal Protector
	<b>Impeller</b>	Semi-Open Impeller with Tungstein Carbide Edge
	<b>Shaft Seal/Material</b>	Double Mechanical Seal and one oil Seal
	<b>Bearing</b>	Double-shielded Ball Bearing

Component	Material
Cable	H07RN-F
Handle	Nylon SS 41
Motor Cover	Cast Iron GJL 200
Seal Housing	Cast Iron GJL 201
Bracket	Cast Iron GJL 202
Oil Chamber	Cast Iron GJL 203
Pump Casing	Cast Iron GJL 204
Impeller	Cast Iron GJS 450
Mechanical seal: Upper	CA/CE
Lower	Sic/Sic
Oil Seal	NBR
Cutter edge	Tungsten
Shaft	AISI 410
Motor Housing	AISI 304

## Characteristic curves N=2900 rpm



## Specifications

Model	Power HP (kW)	Discharge inch	Phase	Standard		Max		Solid Passage mm	N.W. kg	Cable M
				Head M	Capacity LPM	Head M	Capacity LPM			
SC-05-50	1/2 (0.37)	2"	1 $\phi$ /3 $\phi$	6	150	8	300	22	13.5	10
SC-10-50	1 (0.75)	2"	1 $\phi$ /3 $\phi$	9	210	12	400	22	18.5	10
SC-20-50(80)	2 (1.5)	2"/3"	1 $\phi$ /3 $\phi$	10	400	16	700	22	34	10
SC-30-50(80)	3 (2.2)	2"/3"	3 $\phi$	13	550	18	750	22	35	10
SC-50-80(100)	5 (3.7)	3"/4"	3 $\phi$	18	600	22	900	28	57	10
SC-75-80(100)	7.5 (5.5)	3"/4"	3 $\phi$	20	650	28	1000	28	63	10

SC-05-50: Threaded Flange Type

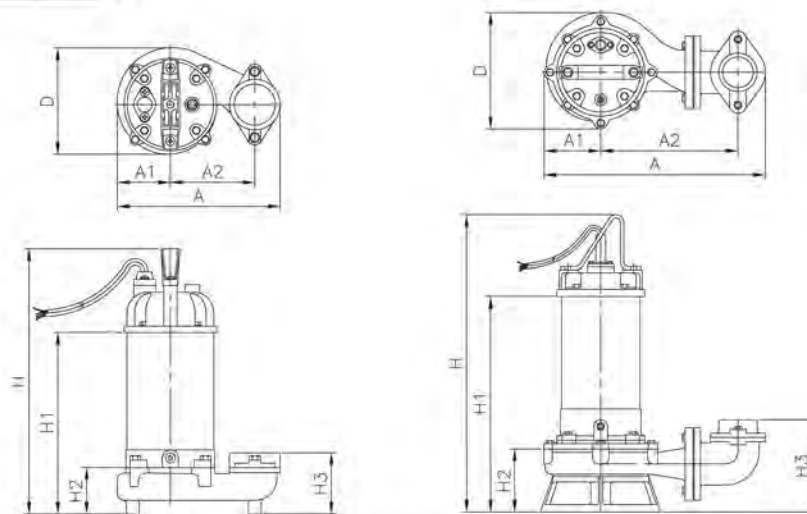
SC-10-50: Threaded Flange type or Elbow Type

SC-20-50(80)~SC-30-50(80): Elbow Type (2" or 3")

SC-50-80(100)~SC-75-80(100): Elbow Type (3" or 4")

Auto Float Switches are available in Single-phase

## Dimensions and Weights



Model	Dimension (mm)							
	A	A1	A2	D	H	H1	H2	H3
SC-05-50	222	73	115	145	361	248	64	84
SC-10-50	222	73	115	149	416	292	64	84
SC-20-50(80)	403	103	250	212	541	393	115	169
SC-30-50(80)	403	103	250	212	561	413	115	169
SC-50-80(100)	463	110	260	227	610	445	137	220
SC-75-80(100)	463	110	260	227	650	485	137	220

# SA Submersible Agitator Sewage Pumps

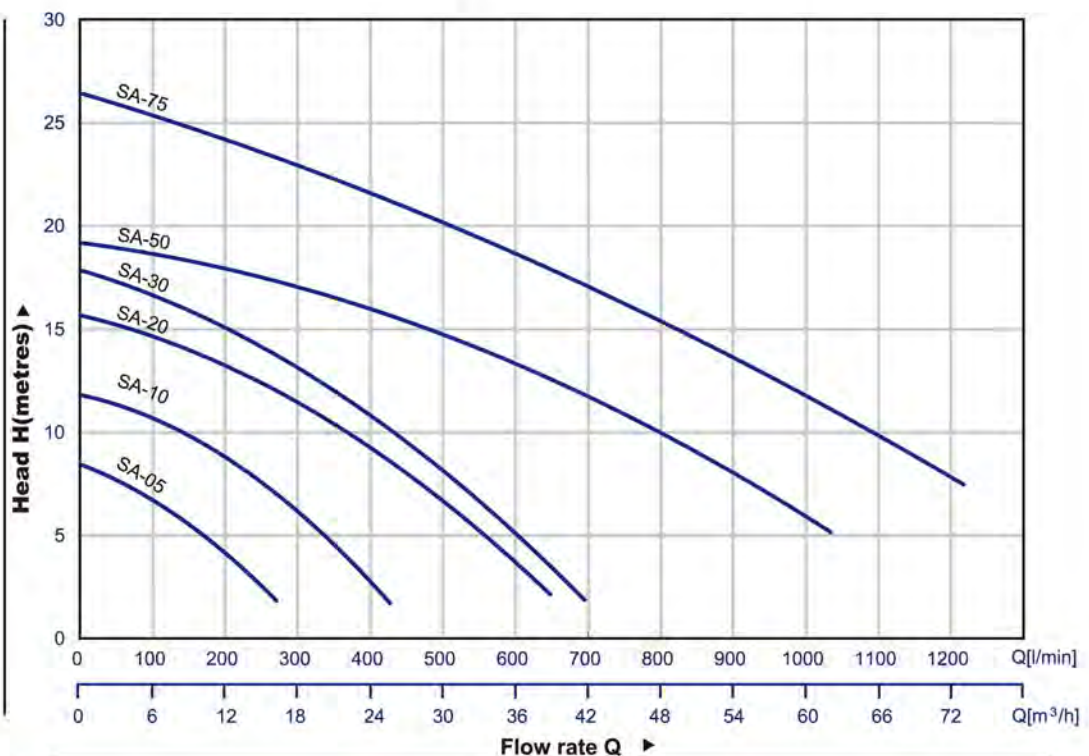
## General Data/Material



<b>Operating Conditions</b>	<b>Applications</b>	Waste water for domestic and civil purposes
	<b>Fluid Temperature</b>	0 to 40 °C
<b>Motor</b>	<b>Type</b>	Dry Type
	<b>Pole</b>	2-pole
	<b>Insulation</b>	Class F
	<b>Protection</b>	IP68
	<b>Protection Device</b>	Thermal Protector (single phase) Overload Protector (three phase)
<b>Pump</b>	<b>Impeller</b>	Vortex Impeller
	<b>Shaft Seal/Material</b>	Double Mechanical Seal and one oil Seal
	<b>Bearing</b>	Double-shielded Ball Bearing

Component	Material
Cable	H07RN-F
Handle	Nylon SS 41
Motor Cover	Cast Iron GJL 200
Seal Housing	Cast Iron GJL 200
Bracket	Cast Iron GJL 200
Oil Chamber	Cast Iron GJL 200
Pump Casing	Cast Iron GJL 200
Impeller	Cast Iron GJL 200
Agitator	AISI 316
Mechanical seal: Upper	CA/CE
Lower	Sic/Sic
Oil Seal	NBR
Shaft	AISI 410
Motor Housing	AISI 304

## Characteristic curves N=2900 rpm



## Specifications

Model	Power HP (kW)	Discharge inch	Phase	Standard		Max		Solid Passage mm	N.W. kg	Cable M
				Head M	Capacity LPM	Head M	Capacity LPM			
SA-05-50	1/2 (0.37)	2"	1 $\phi$ /3 $\phi$	6	130	8	300	20	13.5	10
SA-10-50	1 (0.75)	2"	1 $\phi$ /3 $\phi$	8	180	12	400	20	18.5	10
SA-20-50(80)	2 (1.5)	2"/3"	1 $\phi$ /3 $\phi$	10	350	16	650	20	34	10
SA-30-50(80)	3 (2.2)	2"/3"	3 $\phi$	11	400	18	700	20	35	10
SA-50-80(100)	5 (3.7)	3"/4"	3 $\phi$	15	500	19	1000	35	57	10
SA-75-80(100)	7.5 (5.5)	3"/4"	3 $\phi$	20	600	27	1100	35	63	10

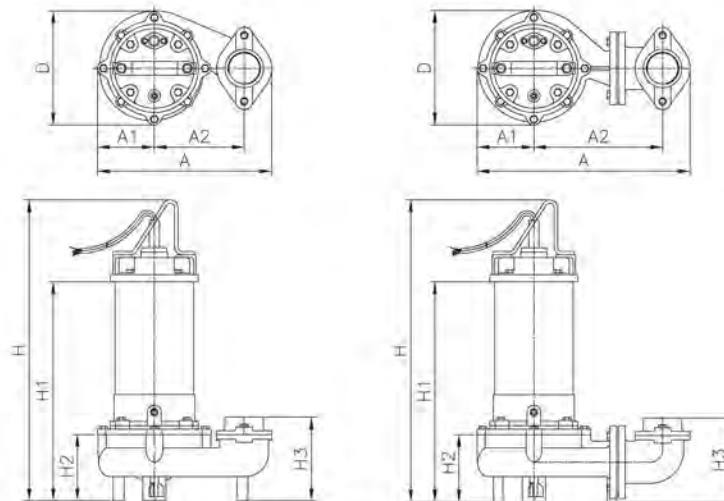
SA-05-50: Threaded Flange Type

SA-10-50: Threaded Flange type or Elbow Type

SA-20-50(80)~SA-30-50(80): Elbow Type (2" or 3")

SA-50-80(100)~SA-75-80(100): Elbow Type (3" or 4")  
Auto Float Switches are available in Single-phase

## Dimensions and Weights



Model	Dimension (mm)							
	A	A1	A2	D	H	H1	H2	H3
SA-05-50	222	73	115	145	410	297	113	133
SA-10-50	222	73	115	149	464	340	113	133
SA-20-50(80)	387	103	234	208	548	400	122	153
SA-30-50(80)	387	103	234	208	568	420	122	153
SA-50-80(100)	459	110	256	227	638	471	160	220
SA-75-80(100)	459	110	256	227	678	511	160	220

# Guide Rail System

## Selection Table

Model	Connections	Guide Rail Models				
		TS-50	TM-50(80)	TL-80(100)	STM-50(80)	STL-80(100)
		Materials				
		FC200	FC200	FC200	SUS316	SUS316
SD-03-50	elbow		▲			
SD-05-50	thread	NOT AVAILABLE				
SD-05-50	elbow		▲			
SD-10-50	thread	NOT AVAILABLE				
SD-10-50	elbow		●			
SD-20-5(80)	elbow		●			
SD-30-50(80)	elbow		●			
SD-50-80(100)	elbow			●		
SD-75-80(100)	elbow			●		
SV-3-50	thread/flange	●				
SV-05-50	thread/flange	●				
SV-05-50	elbow		▲			
SV-10-50	thread/flange	●				
SV-10-50	elbow		▲			
SV-20-50(80)	elbow		●			
SV-30-50(80)	elbow		●			
SV-50-80(100)	elbow			●		
SV-75-80(100)	elbow			●		
SVN-05-50	thread/flange	NOT AVAILABLE				
SVN-05-50	elbow				▲	
SVN-10-50	thread/flange	NOT AVAILABLE				
SVN-10-50	elbow				▲	
SVN-20-50(80)	elbow				●	
SVN-30-50(80)	elbow				●	
SVN-50-80(100)	elbow					●
SVN-75-80(100)	elbow					●
SC-05-50	thread/flange	●				
SC-05-50	elbow		▲			
SC-10-50	thread/flange	●				
SC-10-50	elbow		▲			
SC-20-50(80)	elbow		●			
SC-30-50(80)	elbow		●			
SC-50-80(100)	elbow			●		
SC-75-80(100)	elbow			●		
SA-05-50	thread/flange	●				
SA-05-50	elbow		▲			
SA-10-50	thread/flange	●				
SA-10-50	elbow		▲			
SA-20-50(80)	elbow		●			
SA-30-50(80)	elbow		●			
SA-50-80(100)	elbow			●		
SA-75-80(100)	elbow			●		



TS



TM



TL

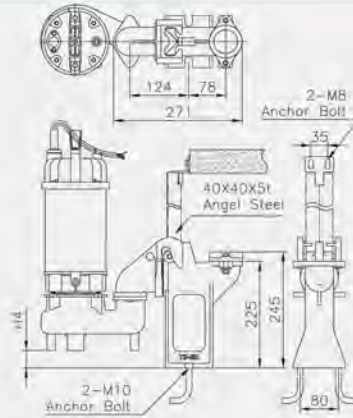
TS Model: Angle type, 2" Discharge

TM Model: Tube type, available 2" or 3" Discharge

TL Model: Tube type, available 3" or 4" Discharge

▲ PUMPS WITH NON-STANDARD CONNECTIONS. IF TM-Tube Type Guide Rail to be used. Consult STAIRS.

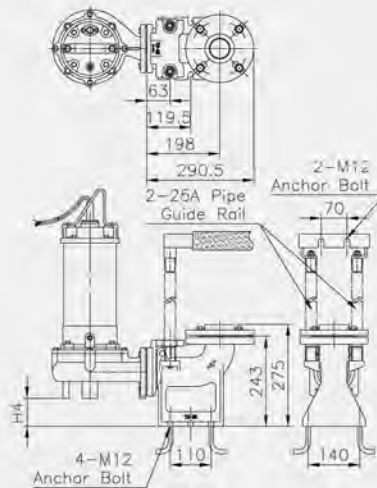
## TS



### TS-50 Guide Rail

Model	Output		Dimensions
	HP	kW	H4(mm)
SV-03-50	1/3	0.25	37
SV-05-50	1/2	0.37	37
SV-10-50	1	0.75	37
SA-05-50	1/2	0.37	37
SA-10-50	1	0.75	37
SC-05-50	1/2	0.37	75
SC-10-50	1	0.75	75
HM-05-50	1/2	0.37	65

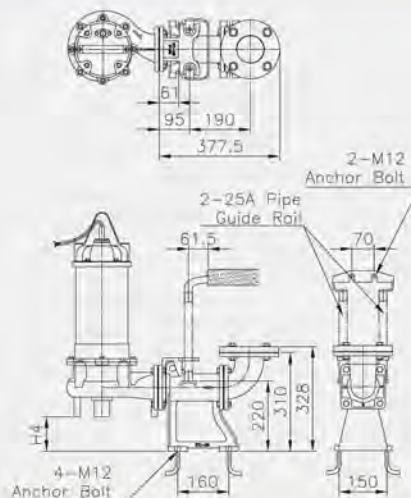
## TM



### TM-50(80) Guide Rail

Model	Output		Dimensions
	HP	kW	H4(mm)
SV-20-50/80	2	1.5	76
SV-30-50/80	3	2.2	76
SA-20-50/80	2	1.5	76
SA-30-50/80	3	2.2	76
SD-03-50	1/3	0.25	78
SD-05-50	1/2	0.37	78
SD-10-50	1	0.75	78
SD-20-50/80	2	1.5	65
SN-30-50/80	3	2.2	65
SC-20-50/80	2	1.5	60
SC-30-50/80	3	2.2	60
SVN-05-50	1/2	0.37	76
SVN-10-50	1	0.75	76
SVN-20-50/80	2	1.5	76
SVN-30-50/80	3	2.2	76

## TL



### TL-80(100) Guide Rail

Model	Output		Dimensions
	HP	kW	H4(mm)
SV-50-80/100	5	3.7	110
SV-75-80/100	7.5	5.5	110
SA-50-80/100	5	3.7	110
SA-75-80/100	7.5	5.5	110
SD-50-80/100	5	3.7	113
SD-75-80/100	7.5	5.5	113
SC-50-80/100	5	3.7	108
SC-75-80/100	7.5	5.5	108
SVN-50-80/100	5	3.7	108
SVN-75-80/100	7.5	5.5	108



STAIRS INDUSTRIAL CO.,LTD  
company

NO.3-8,Sanchial Tsun,Lutsao Hsiang,  
Chiai Hsien,Taiwan

Tel:+886(0)53750488

Fax:+886(0)53755658

E-Mail:stairs@stairs.com.tw

[www.stairs.com.tw](http://www.stairs.com.tw)